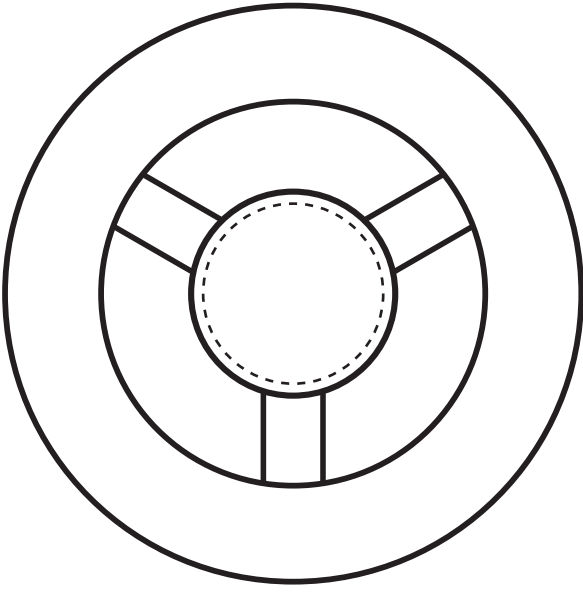


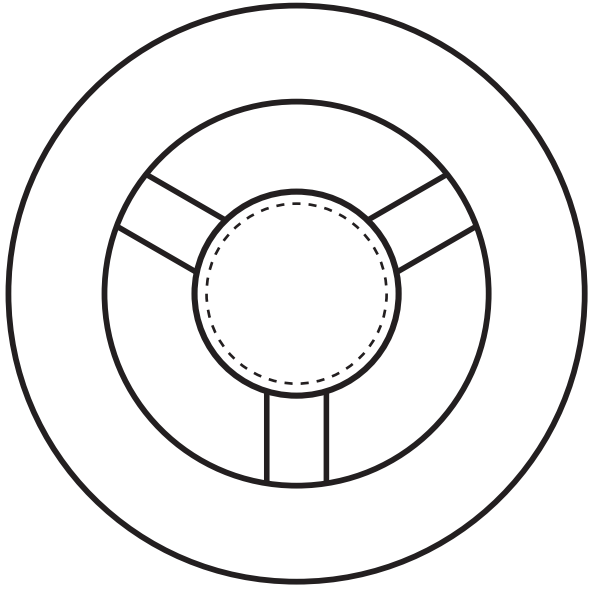
**ITEM# 7150**

**4 Color Process/Pad Print**

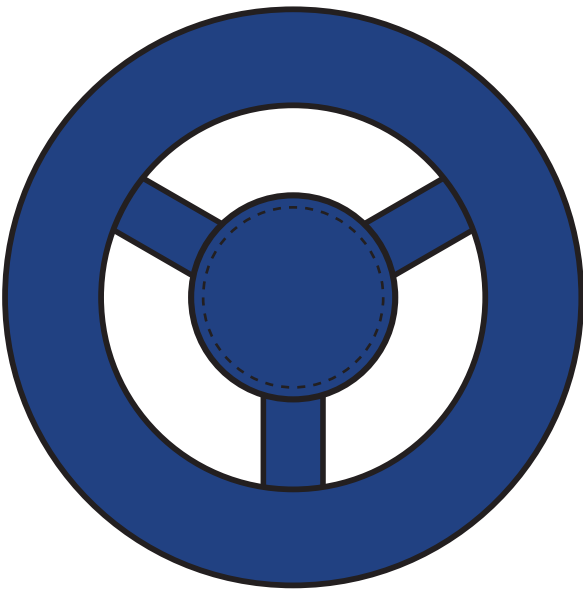
**Front**



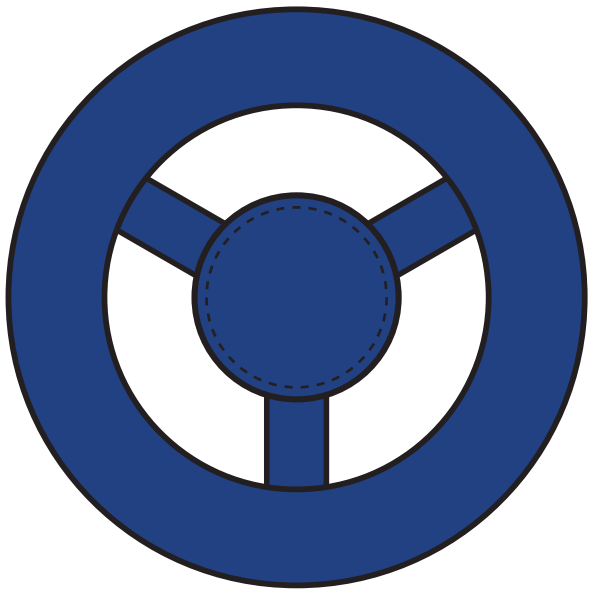
**Back**



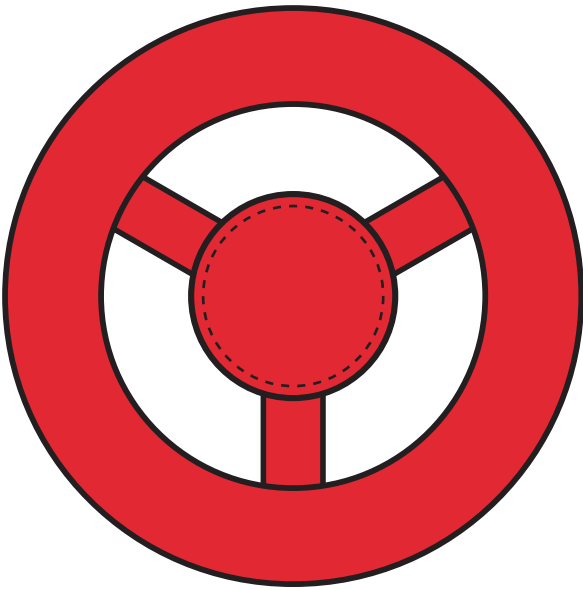
**Front**



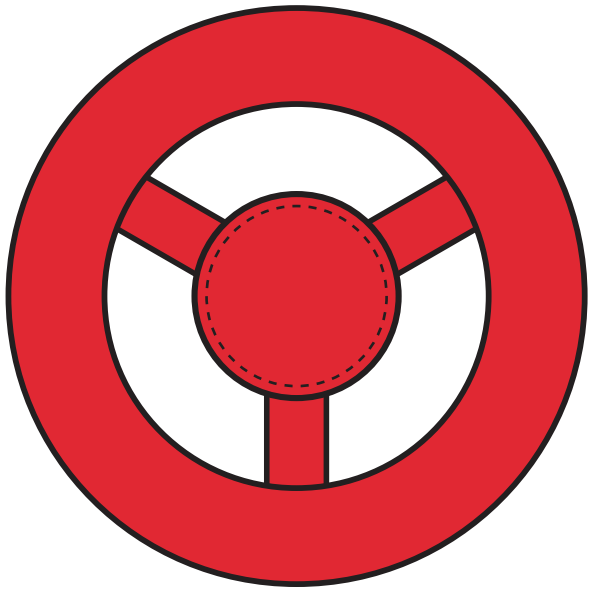
**Back**



**Front**



**Back**



**Front**



**Back**



**Imprint Size: 0.94" Diameter (15/16" Diameter)**